

31AE5E3F190 Snow Boss 950W (1999)  
Blower Housing

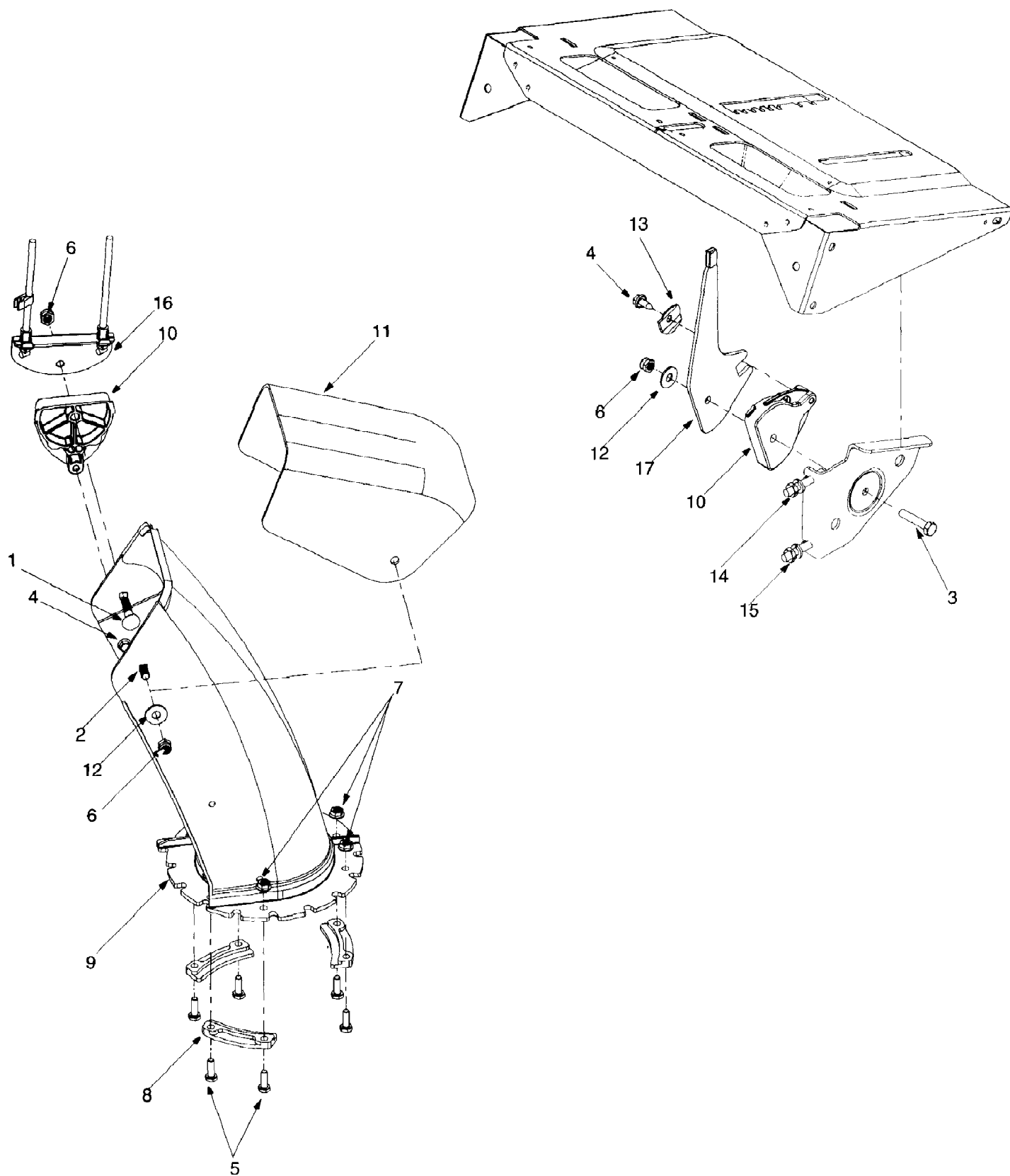
Page 2 of 26

Ref #	Part Number	Qty	S/P/F	Description
1	05931	1	S	Bearing Housing
2	684-0040B	1	S	Auger Housing Assy. 26" For model SB-950W
	684-0055A	1	S	Auger Housing Assy. 30" For model SB-1150W
3	684-0065	1	S	Impeller Assy. 12" Dia.
4	705-5226	1		Chute Reinforcement
5	710-0260	1	S	Carriage Bolt 5/16-18 x .62"
6	710-0451	1	/P	Carriage Bolt 5/16-18 x .75" Gr 2
7	710-0459A	1	/P	Hex Screw 3/8-24 x 1.5" Gr5
8	710-0604	1	S	Hex Washer Head Self-Tapping Screw 5/16-18 x .62"
9	710-0703	1	/P	Carriage Screw 1/4-20 x .75"
10	710-0890A	1	/P	Shear Bolt 5/16-18 x 1.5"
11	712-0116	1	S	Jam Nut 3/8-24
12	712-0324	1	/P	Hex Lock Nut 1/4-20
13	712-0429	1	S	Hex Lock Nut 5/16-18
14	712-0798	1	/P	Hex Nut 3/8-16 Gr.2
15	712-3010	1	S	Hex Nut 5/16-18 Gr.5
16	712-3068	1	S	Hex Patch Nut 5/16-18
17	715-0114	1	S	Spiral Pin
18	731-1379	1	S	Chute Adapter
19	732-0611	1	S	Extension Spring
20	736-0119	1	S	Lock Washer
21	736-0169	1	S	Lock Washer
22	736-0174	1	/P	Wave Washer
23	736-0188	1	/P	Flat Washer
24	736-0242	1	/P	Belleville Washer
25	736-0463	1	S	Flat Washer
26	737-3007	1		Grease
27	738-0281	1	S	Shoulder Screw
28	741-0245	1	S	Hex Flange Bearing
29	741-0309	1	S	Flange Ball Bearing
30	741-0475	1	S	Bushing
31	741-0493A	1	/P	Flange Bushing
32	756-0178	1		Flat Idler
33	784-5618	1	S	Bearing Housing
34	784-5632	1	S	Auger Idler Arm
35	784-5647	1	S	Chute Crank Bracket
36	605-5192A	1	S	Spiral Assembly: RH 26" For model SB-950W
	605-5248A	1	S	Spiral Assembly: RH 30" For model SB-1150W
37	605-5193A	1	S	Spiral Assembly: LH 26" For model SB-950W
	605-5249A	1	S	Spiral Assembly: LH 30" For model SB-1150W
38	618-0121	1	S	Gear Assembly: Auger 26" For model SB-950W
	618-0160	1	S	Gear Assembly: Auger 30" For model SB-1150W
39	784-5579A	1	S	Shave Plate: Auger 26" For model SB-950W
	784-5575	1	S	Shave Plate: Auger 30" For model SB-1150W

31AE5E3F190 Snow Boss 950W (1999)  
Blower Housing

Page 3 of 26

Ref #	Part Number	Qty	S/P/F	Description
40	710-0451	1	/P	Carr. Bolt: 5/16-18 x 0.75
41	712-3010	1	S	Hex Nut: 5/16-18 Gr.5
42	736-0242	1	/P	Beleville Washer
43	784-5580	1		Slide Shoe



31AE5E3F190 Snow Boss 950W (1999)  
Chute Assembly

Page 5 of 26

Ref #	Part Number	Qty	S/P/F	Description
1	710-0262	1	/P	Carriage Bolt: 5/16-18 x 1.5"
2	710-0451	1	/P	Carriage Bolt: 5/16-18 x 0.75"
3	710-0805	1	/P	Hex Bolt: 5/16-18 x 1.5 Gr. 5
4	710-0896	1	/P	Hex Washer Head AB Screw: 1/4-14 x 0.625"
5	710-3015	1	/P	Hex Bolt: 1/4-20 x 0.75"
6	712-0429	1	S	Hex Lock Nut: 5/16-18
7	712-3027	1	S	Flange Lock Nut
8	731-0851A	1	/P	Chute Flange Keeper
9	731-1300A	1	S	Lower Chute
10	731-1313B	1	S	Chute Tilt Cable Guide
11	731-1320	1	S	Upper Chute
12	736-0159	1	S	5/16 Washer
13	736-0506	1	S	Special Washer
14	746-0896	1	S	Control Cable: Chute Deflector
15	746-0901	1	S	Chute Deflector Cable w/Clip
16	784-5594	1		Cable Bracket
17	784-5604	1	S	Chute tilt Handle

31AE5E3F190 Snow Boss 950W (1999)  
Drift Cutters (Optional)

DEM-390-679



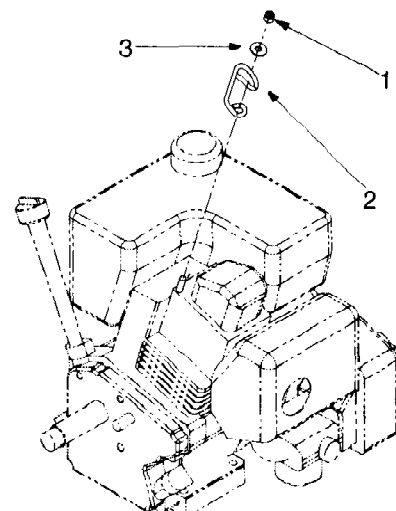
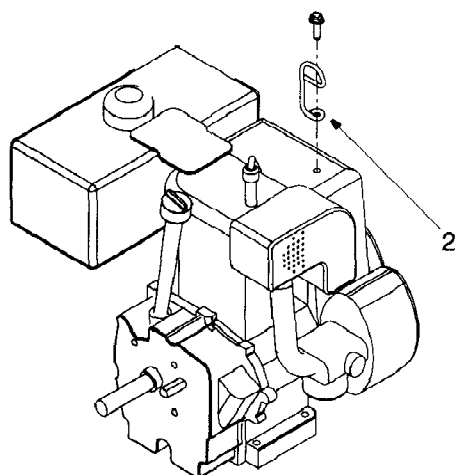
31AE5E3F190 Snow Boss 950W (1999)  
Drift Cutters (Optional)

---

Ref #	Part Number	Qty	S/P/F	Description
OEM-390-679	OEM-390-679	1	/P	Drift Cutters

---

31AE5E3F190 Snow Boss 950W (1999)  
Engine Accessories





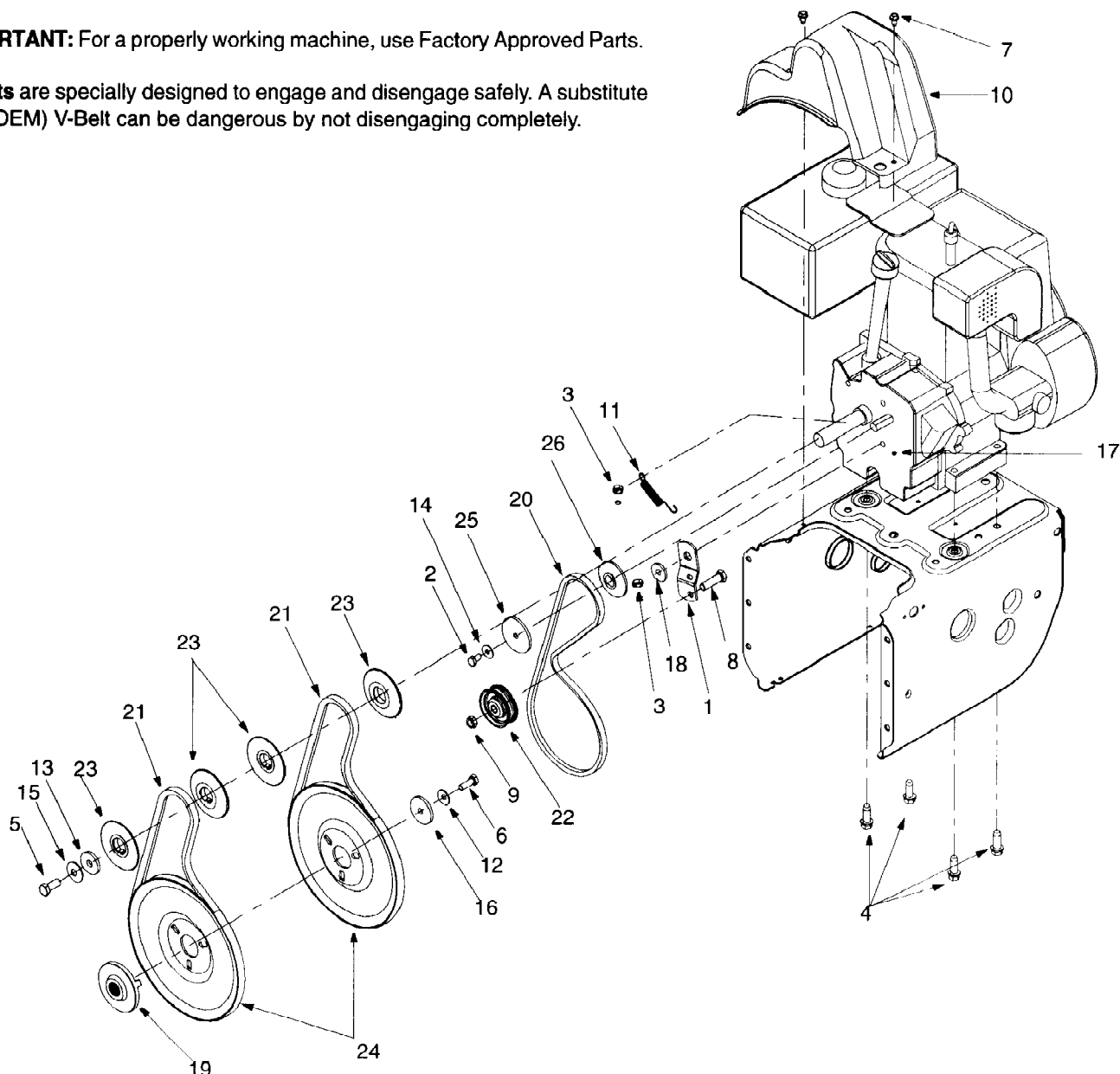
31AE5E3F190 Snow Boss 950W (1999)  
Engine Accessories

Page 9 of 26

Ref #	Part Number	Qty	S/P/F	Description
1	712-0324	1	/P	Hex Lock Nut: 1/4-20
2	732-0705	1		Cable Guide
3	736-0173	1	/P	Flat Washer

**IMPORTANT:** For a properly working machine, use Factory Approved Parts.

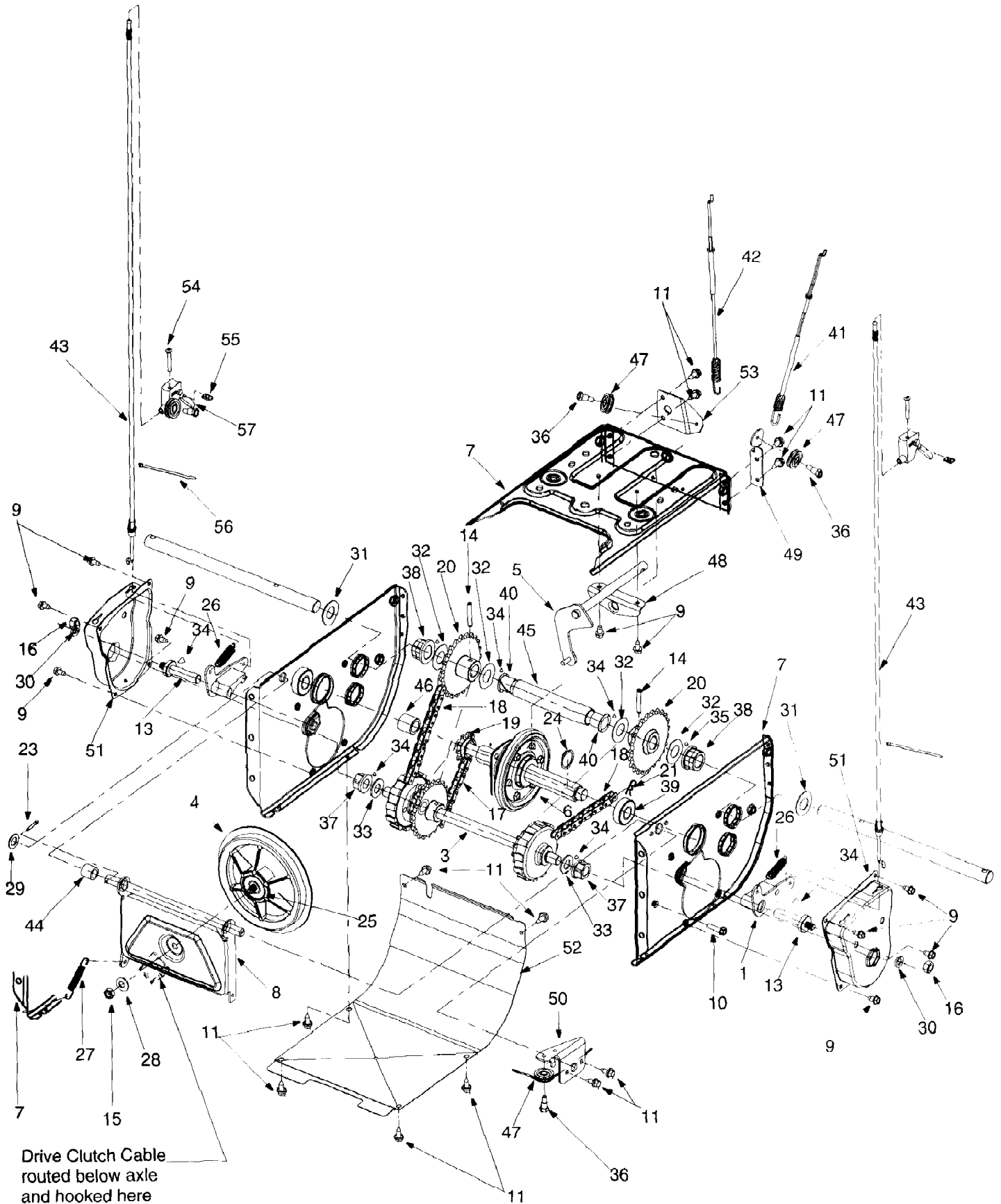
**V-Belts** are specially designed to engage and disengage safely. A substitute (non-OEM) V-Belt can be dangerous by not disengaging completely.



31AE5E3F190 Snow Boss 950W (1999)  
Engine And V-Belts

Page 11 of 26

Ref #	Part Number	Qty	S/P/F	Description
1	05896A	1		Idler Bracket
2	710-0230	1	/P	Hex Bolt 1/4-28 x 0.5" Gr.5
3	710-0627	1	/P	Hex Screw w/Patch: 5/16-24 x 0.75"
4	710-0654A	1	/P	Hex Washer Head TT Sems Screw
5	710-0696	1	/P	Hex Bolt 3/8-24 x .875" Gr8
6	710-1245	1	/P	Hex Screw w/Patch: 5/16-24 x .875" Gr.5
7	710-1652	1	/P	Hex Washer Head TT
8	710-3005	1	/P	Hex Screw: 3/8-16 x 1.0"
9	712-0181	1	S	Top Lock Jam Nut: 3/8-16
10	731-1324	1		Belt Cover
11	732-0710	1	S	Extension Spring
12	736-0242	1	/P	Belleville Washer
13	736-0247	1	/P	Flat Washer
14	736-0270	1	/P	Bell Washer
15	736-0331	1	/P	Bell Washer
16	736-0505	1		Flat Washer
17	737-3007	1		Grease
18	748-0234	1	/P	Shoulder Spacer
19	748-0360	1	S	Adapter Pulley
20	754-0346	1	S	V-Belt
21	754-0430A	1	S	Belt
22	756-0313	1	/P	Flat Idler
23	756-0569	1		Pulley Half
24	756-0967	1		Auger Pulley
25	756-0986	1		Pulley Half
26	756-0987	1	S	Pulley Half



31AE5E3F190 Snow Boss 950W (1999)  
Frame Assembly

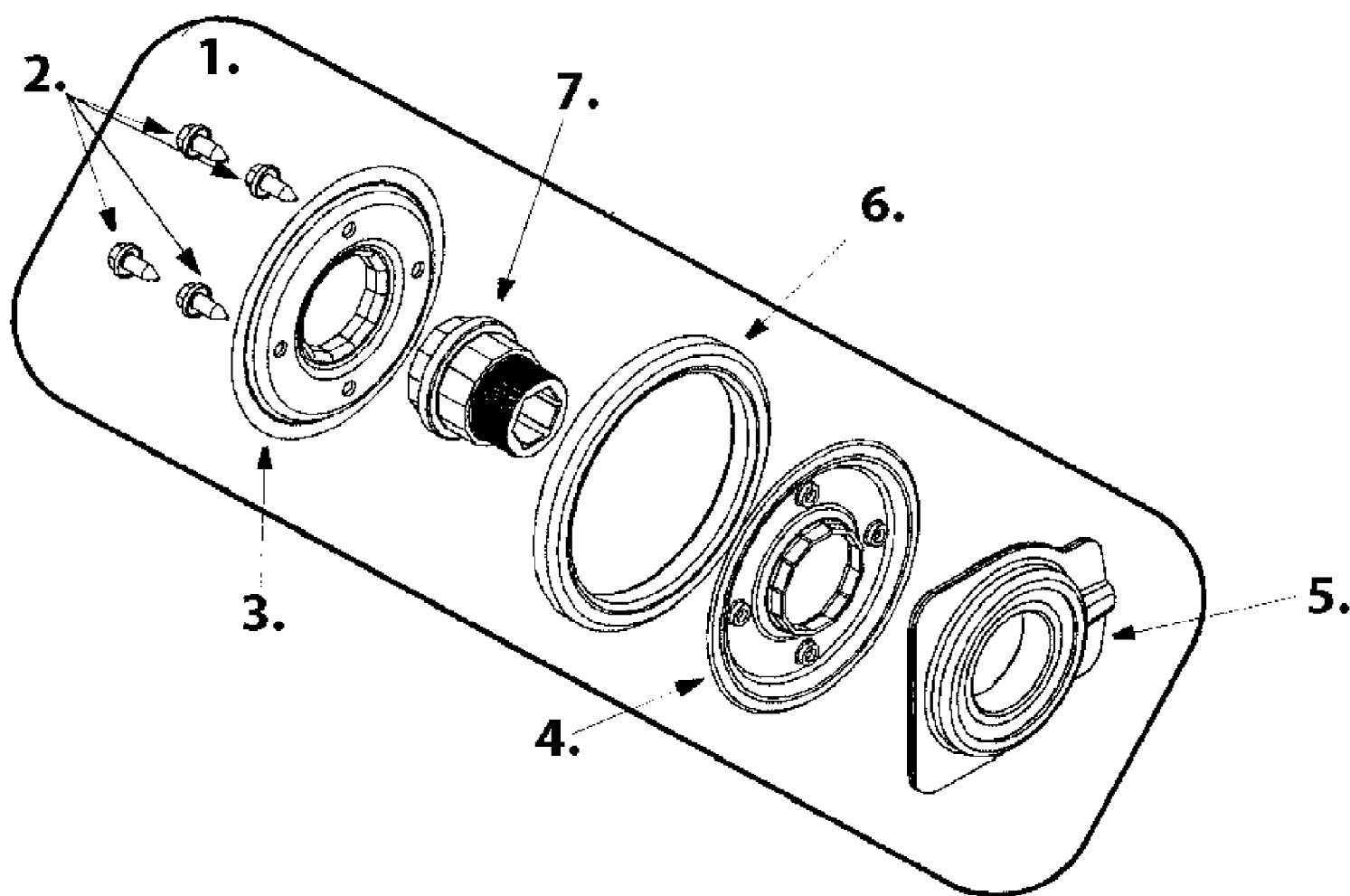
Page 13 of 26

Ref #	Part Number	Qty	S/P/F	Description
1	618-0043	1		Dogg Assembly: RH
2	618-0044	1		Dogg Assembly: LH
3	618-0303A	1	S	Shift Assembly: Steerable Drive
4	656-0012A	1	S	Friction Wheel Disc Assy.
5	684-0014B	1	S	Shift Rod Assembly
6	984-0042C	1	/P	Wheel Assembly, Friction See 'Friction Wheel Assembly' for breakdown
7	684-0130	1		Transmission Frame Assembly
8	684-0131	1	S	Support Bracket Assembly
9	710-0599	1	/P	Hex Washer Hd. TT Screw 1/4-20 x 0.5"
10	710-0788	1	/P	Hex Washer Hd. TT Screw 1/4-20 x 1.0"
11	710-1652	1	/P	Hex Washer Hd. TT Screw 1/4-20 x .625"
12	711-1267	1		Drive Shaft
13	711-1268	1		Actuator Shaft
14	711-1364	1		Clevis Pin
15	712-0711	1	/P	Jam Nut 3/8-24 Gr.8
16	712-3017	1	S	Hex Nut: 3/8-16
17	713-0233	1	/P	Chain
18	713-0374	1	/P	Chain
19	713-0413	1		Sprocket: 10T
20	713-0472	1		Sprocket
21	714-0104	1	S	Cotter Pin
23	714-0474	1	S	Cotter Pin
24	716-0102	1	S	Snap Ring
25		1		Adhesive: Loctite(R) Red 271, Purchase locally
26	732-0209	1	S	Extension Spring
27	732-0264	1	S	Extension Spring
28	736-0105	1	/P	Bell Washer
29	736-0160	1	S	Flat Washer
30	736-0169	1	S	Lock Washer
31	736-0188	1	/P	Flat Washer
32	736-0351	1	S	Flat Washer
33	736-0626	1		Flat Washer
34	N/A	1		Lubricant Purchase locally
35	N/A	1		Grease Purchase locally
36	738-0924	1	S	Shoulder Screw
37	741-0597	1	S	Hex Flange Bearing
38	741-0598	1	S	Hex Flange Bearing
39	741-0600	1	S	Ball Bearing
40	741-0701	1		Flange Bushing
41	746-0897	1	S	Auger Clutch Cable
42	746-0898	1	S	Drive Clutch Cable
43	746-0956	1	S	Steering Cable
44	748-0190	1	/P	Spacer
45	750-1161	1	S	Support Tube: Axle
46	750-1162	1		Spacer
47	756-0625	1		Roller Cable
48	784-5590	1		Shift Bracket
49	784-5687	1	S	Auger Clutch Cable Guide Bracket
50	784-5689A	1	S	Front Support Guide Bracket
51	784-5730	1	S	Retaining Shaft: Actuator Drive

31AE5E3F190 Snow Boss 950W (1999)  
Frame Assembly

Page 14 of 26

Ref #	Part Number	Qty	S/P/F	Description
52	784-5732	1		Frame Cover
53	784-5733	1	S	Roller Bracket: Drive Cable
54	710-1233	1	/P	Oval C-Sunk Machine Screw
55	712-0127	1	/P	Weld Nut
56	725-0157	1	/P	Cable Tie
57	746-0950	1	S	Turn Trigger

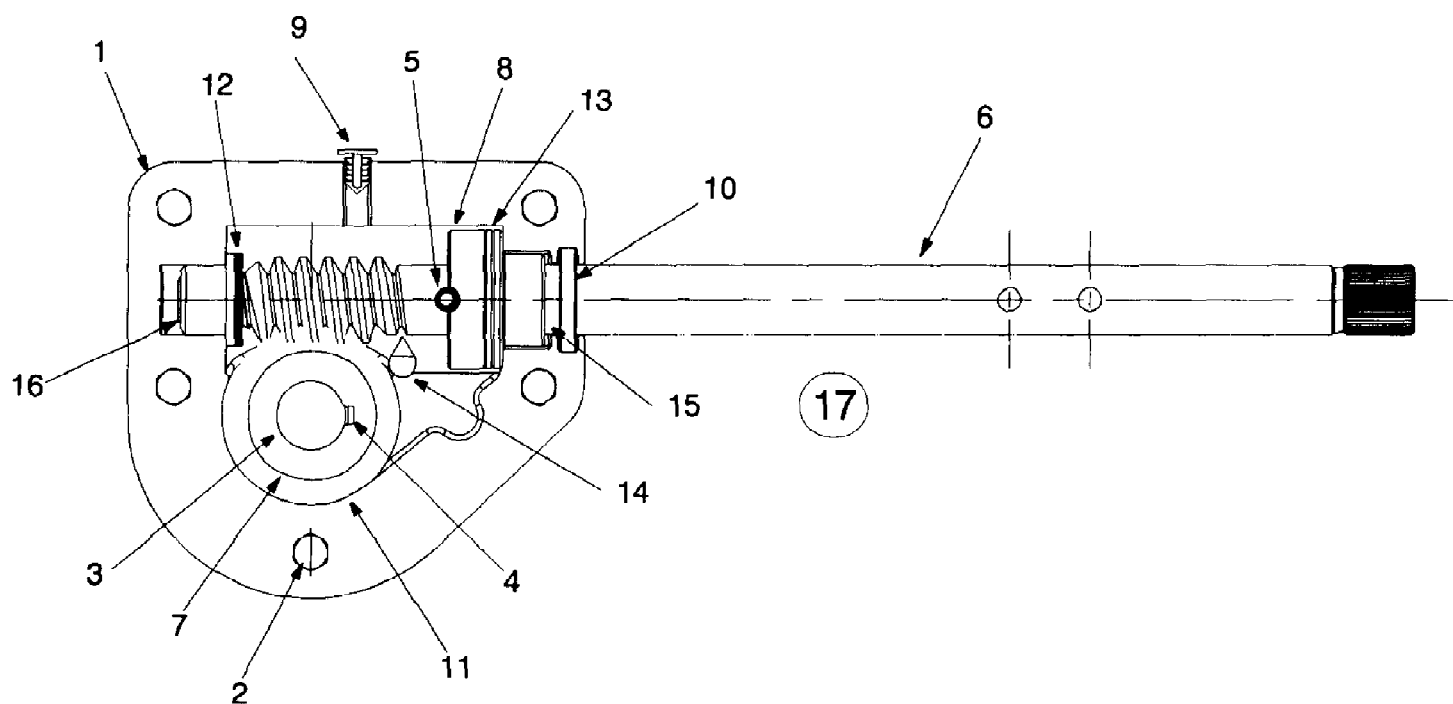


31AE5E3F190 Snow Boss 950W (1999)  
Friction Wheel Assembly

Page 16 of 26

Ref #	Part Number	Qty	S/P/F	Description
1	984-0042C	1	/P	Friction Wheel Assembly
2	710-0896	1	/P	AB Screw 1/4-14 x.625
3	790-00011	1		Friction Plate
4	790-00010	1		Friction Plate
5	618-0063A	1		Friction Wheel Bearing
6	935-0243B	1	/P	Friction Wheel Rubber
7	N/A	1		Friction Wheel Hub Furnish 984-0042C

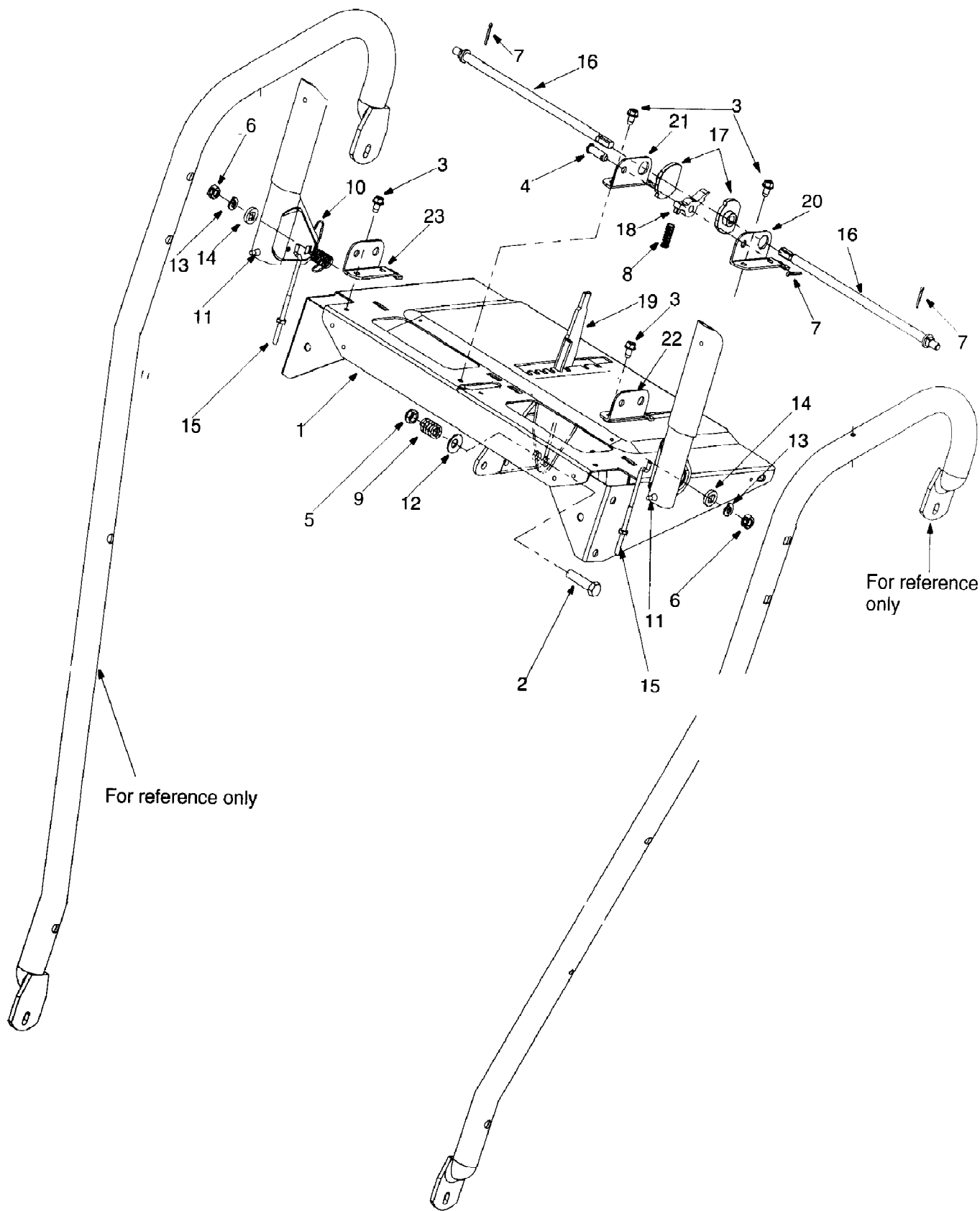




31AE5E3F190 Snow Boss 950W (1999)  
Gear Assembly

Page 18 of 26

Ref #	Part Number	Qty	S/P/F	Description
1	618-0123	1	S	Housing - L.H.
	618-0124	1	S	Housing - R.H.
2	710-0642	1	/P	Hex Screw 1/4-20 x .75
3	711-0909	1	S	Spiral Axle 26" SB-950W
	711-1024	1	S	Spiral Axle 30" SB-1150W
4	714-0161	1	S	Key
5	715-0143	1	S	Pin-Spiral
6	717-0526	1		Shaft-Worm
7	717-0528	1	S	Gear-Worm
8	718-0186	1		Collar-Thrust
9	721-0325	1		Plug
10	721-0327	1		Seal-Oil
11	736-0351	1	S	Washer-Flat
12	736-0369	1	S	Washer-Flat
13	736-0445	1	S	Washer-Flat
14	737-0168	1	S	Grease
15	741-0662	1		Bearing-Flange
16	741-0663	1		Bearing-Flange
17	618-0121	1	S	Ass'y. Complete 26" SB-950W
	618-0160	1	S	Ass'y. Complete 30" SB-1150W



31AE5E3F190 Snow Boss 950W (1999)  
Handle Assembly

Page 20 of 26

Ref #	Part Number	Qty	S/P/F	Description
1	684-0102	1		Handle Panel Assembly
2	710-0459A	1	/P	Hex Bolt: 3/8-24 x 1.5 Gr.5
3	710-0599	1	/P	Hex Washer Head TT Screw: 1/4-20 x 0.5
4	711-0653	1	/P	Clevis Pin
5	712-0116	1	S	Jam Nut
6	712-3010	1	S	Hex Nut
7	714-0507	1	S	Cotter Pin
8	732-0145	1	/P	Compression Spring
9	732-0193	1	/P	Compression Spring
10	732-0746	1		Torsion Spring
11	735-0199A	1	S	Rubber Bumper
12	736-0105	1	/P	Bell Washer
13	736-0119	1	S	Lock Washer
14	736-0509	1		Special Washer
15	746-0778	1	S	Z Fitting: Cable
16	747-0877	1		Rod: Cam
17	748-0362	1		Cam Handle Lock
18	748-0363	1	S	Pawl: Handle Lock
19	784-5619A	1	S	Shift Handle
20	784-5679	1	S	Handle Support Bracket: 5/8 LH
21	784-5680	1	S	Handle Support Bracket: 5/8 RH
22	784-5681	1	/P	Handle Support Bracket: 3/8 LH
23	784-5682	1	S	Handle Support Bracket: 3/8 RH



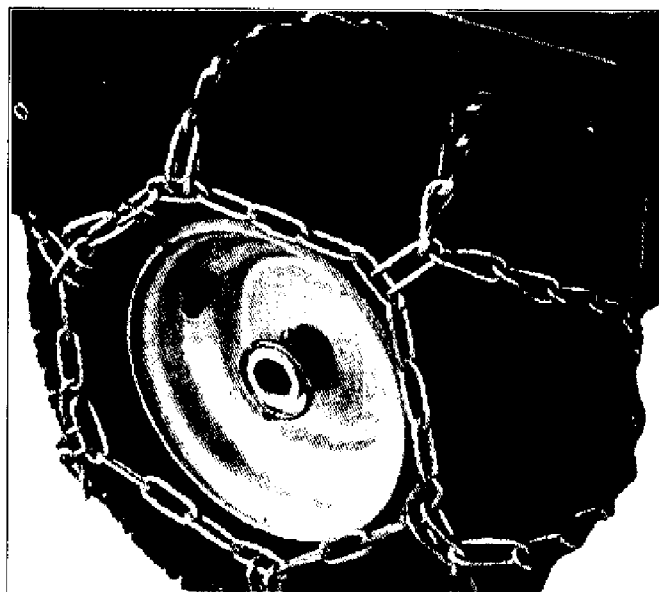
31AE5E3F190 Snow Boss 950W (1999)  
Handle Panel

Page 22 of 26

Ref #	Part Number	Qty	S/P/F	Description
1	684-0008A	1	S	Shift Arm Assembly
2	684-0053	1	S	Chute Crank Assembly
3	705-5266	1	S	Chute Crank Bracket
4	710-0262	1	/P	Carr. Bolt 5/16-18 x 1.5
5	710-0449	1	S	Carr. Screw 5/16-18 x 2.25 Gr.5
6	710-0788	1	/P	Hex Washer Head TT Screw 1/4-20 x 1.0
7	710-0890A	1	/P	Shear Bolt 5/16-18 x 1.5
8	710-3008	1	/P	Hex Bolt 5/16-18 x 0.75 Gr.5
9	710-3015	1	/P	Hex Bolt 1/4-20 x 0.75 Gr.5
10	711-0677	1	S	Ferrule
11	712-0287	1	S	Hex Nut: 1/4-20
12	712-0429	1	S	Hex Lock Nut
13	712-3010	1	S	Hex Nut: 5/16-18
14	714-0104	1	S	Cotter Pin
15	714-0145	1	S	Click Pin
16	715-0138	1	S	Roll Pin
17	720-0201A	1	/P	Chute Crank Knob
18	720-0284	1	S	Wing Nut
19	726-0100	1	S	Push Cap
20	736-0185	1	S	Flat Washer
21	736-0242	1	/P	Belleville Washer
22	736-0270	1	/P	Bell Washer
23	736-0275	1	S	Flat Washer
24	736-0451	1	S	Saddle Washer
25	741-0475	1	S	Plastic Bushing
26	747-0620A	1	/P	Shift Rod: Upper
27	747-0621	1		Shift Rod: Lower
28	747-0737	1	S	Chute Crank: Upper
29	749-0951	1		Lower Handle
30	749-0954	1	S	Handle: C Style RH
31	749-0955	1	S	Handle: C Style LH
32	750-0785	1	S	Spacer
33	750-0963	1	S	Clutch Rod Connector
34	629-0059	1	S	Harness, Halogen Light
35	684-0036	1	S	Handle Engagement Assembly: RH Black
36	684-0037	1	S	Handle Engagement Assembly: LH Black
37	710-1003	1	/P	Hex washer Hd. Sp. screw
38	712-0271	1	/P	Hex Sems Nut
39	720-0232	1	S	Shift Knob
40	725-1658	1	S	Halogen Lamp
41	725-1672	1	S	Lamp Housing
42	731-1545A	1	S	Handle Panel: yellow w/Tilt, Light
43	747-1136	1	/P	Halogen Retainer: Handle

31AE5E3F190 Snow Boss 950W (1999)  
Tire Chains (Optional)

*OEM-390-655*



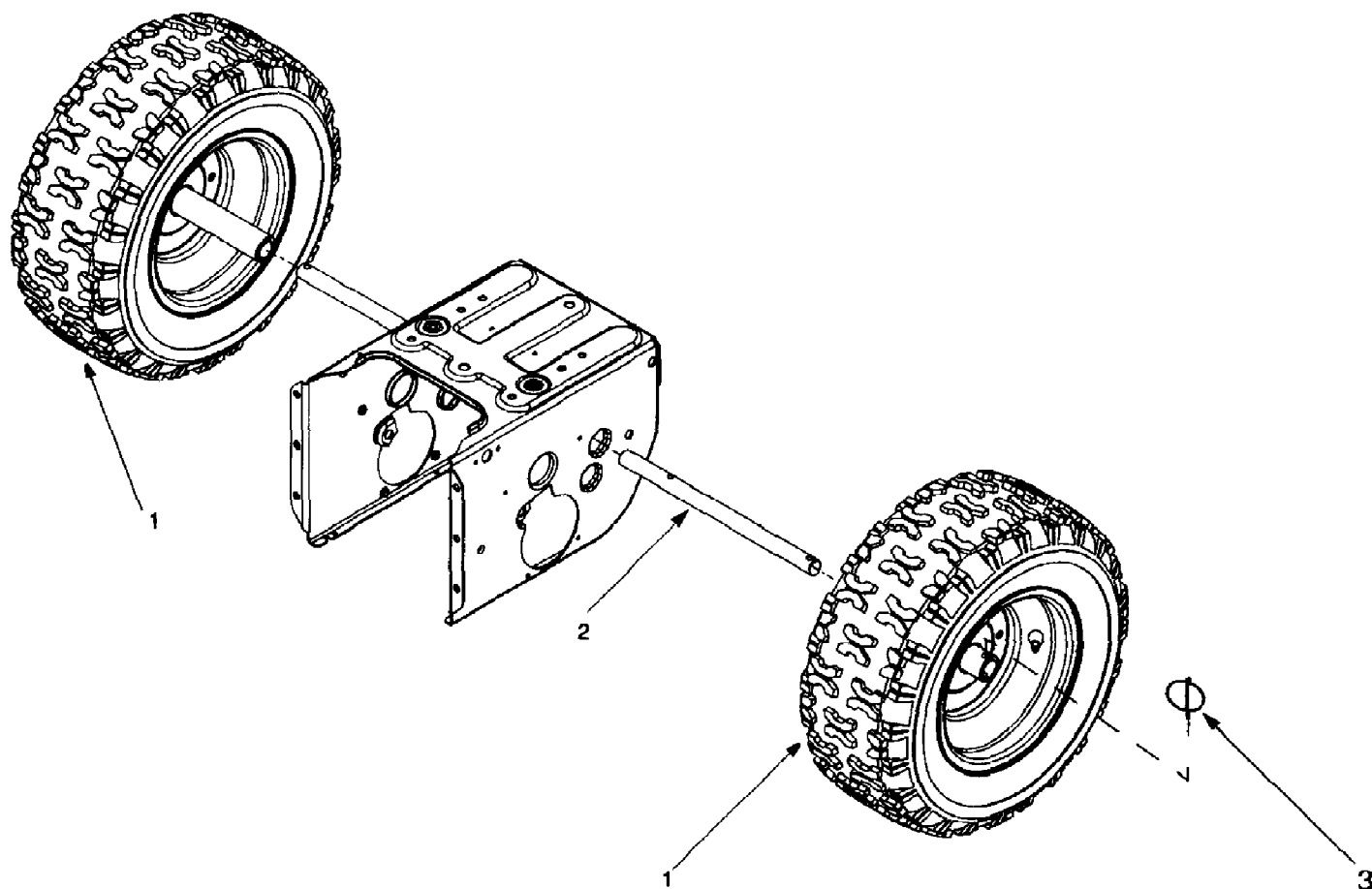
31AE5E3F190 Snow Boss 950W (1999)  
Tire Chains (Optional)

---

Ref #	Part Number	Qty	S/P/F	Description
OEM-390-655	OEM-390-655	1	S	Tire Chains

---





31AE5E3F190 Snow Boss 950W (1999)  
Wheels

Page 26 of 26

Ref #	Part Number	Qty	S/P/F	Description
1	734-1712	1		Wheel Assembly: 16 x 6.5 steerable (For model SB-1150W)
	734-1709	1		Wheel Assembly: 16 x 4.8 steerable (For model SB-950W)
2	738-0994	1	S	Axle: .75" Dia. x 12.201" Lg.
3	714-0143	1	S	Klick Pin